



PUMPS {STAINLESS STEEL} FOOD CONTAINER DISPENSERS

Models SS1
SS1L

Date:

Project:

Quantity:

Item Number:



Bid Description

Constructed of stainless steel with a brushed (#4) finish. The single stand holds a #10 can, Stainless Steel Jar (94009) or 1 gallon (3.8 L) jar (not included). Includes a CPSS-F (67540) pump with a rugged cast stainless steel valve body. Maximum stroke yields 1 ounce (30 mL) with gauging collars supplied to reduce yield in ¼ ounce (7 mL) increments.

The Single Stand Lockable SS1L (67590) includes a hasp so pump lid can be padlocked to base shroud. Padlock not included.

Standard Features

Durable stainless steel construction with a brushed finish

Maximum stroke yields 1 ounce (30 mL)

Easy-to-adjust portion control in ¼ ounce (7 mL) increments

Colored, engraved knob to identify flavor is available upon request (contact customer service)

Single Stand Accessories

- Stainless Steel Jar 94009
- Stainless Steel Jar Storage Lid 94008



THIN THICK PARTICULATE
See category tab for details.



Warranty

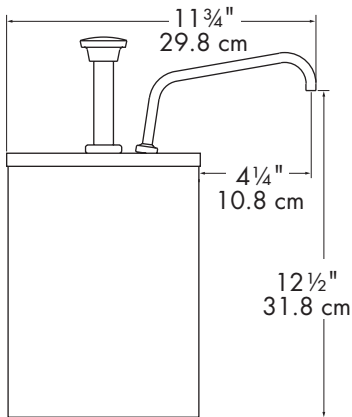
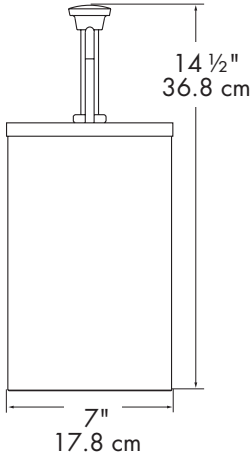
Server Products equipment is backed by a two-year limited warranty against defects in materials and workmanship. For our complete warranty statement, see our web site or contact us.



PUMPS {STAINLESS STEEL} FOOD CONTAINER DISPENSERS

Models **SS1**
SS1L

Single Stand Assembly SS1 67580



Specifications

Model	SS1 67580		
Construction	Stainless steel base with a brushed (#4) finish. Includes a CPSS-F pump.		
Capacity	Holds a #10 can, 3 qt (2.8 L) (94009) jar or 1 gallon (3.8 L) jar.		
Dimensions	<u>Height</u>	<u>Width</u>	<u>Depth</u>
	in 14½	7	11¾
	cm 36.8	17.8	29.8
Weight	8 lb (3.6 kg)		
Model	SS1L 67590		
Construction	Includes hasp so pump can be padlocked (padlock not included).		

FOB Richfield, Wisconsin 53076

CAD Library

Individual CAD images can be downloaded from product pages on our web site. We are also a member of The KCL CADalog with more than 100 other manufacturers. Our complete collection of CAD files can be purchased through Kochman Consultants, Ltd. at kclcad.com.

