



PUMPS {POUCHED PRODUCTS} EXPRESS™ STANDS

Models **SS-1SE**
SS-2SE

Date:

Project:

Quantity:

Item Number:



THIN THICK PARTICULATE
See category tab for details.

Bid Description

The single and twin stands are furnished with the Server Express™ System(s)—a surgical-quality plastic, pump in a black, thermoset polyester vessel. Pump vessel lids and base shroud are brushed stainless steel.

Capacity for each Express™ System is 1½ gallons (or 6 L). Maximum stroke yields 1 ounce (30 mL). Easy-to-adjust portion control reduces yield in ¼ ounce (7 mL) increments. Exclusively uses a Cryovac® pouch with 16mm fitment.

Standard Features

Holds a 1½ gallon (or 6 L) Cryovac® pouch

Pump is constructed of surgical-quality plastic parts—quick to breakdown and completely dishwasher safe

Maximum stroke yields 1 ounce (30 mL)

Easy-to-adjust portion control in ¼ ounce (7 mL) increments

(2) discharge tube fittings—black for ketchup and mustard, white for thicker products

Server Express™ Accessories

- Tapered Discharge Fitting 07119
- Replacement Pump 07044
- Single Drip Tray Assembly 07291



Warranty

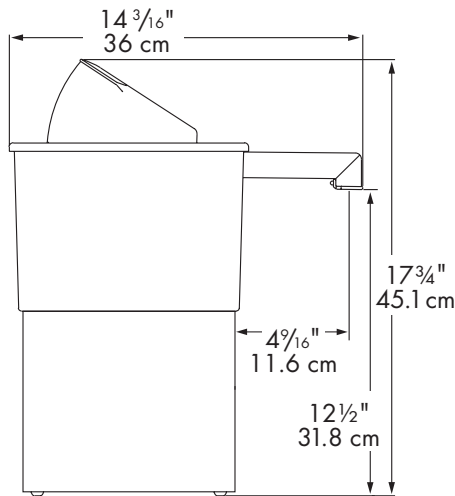
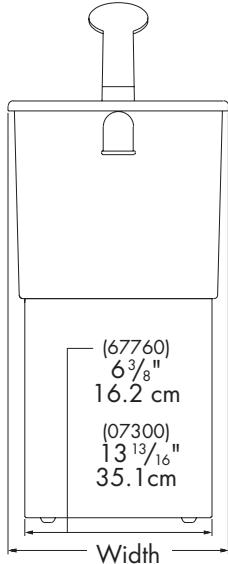
Server Products equipment is backed by a two-year limited warranty against defects in materials and workmanship. For our complete warranty statement, see our web site or contact us.



PUMPS {POUCHED PRODUCTS} EXPRESS™ STANDS

Models **SS-1SE**
SS-2SE

Single & Twin Stand Models



Specifications

Construction Brushed finish stainless steel base furnished with surgical-quality plastic, pump(s) in black, thermoset polyester vessel(s). Vessel lids are brushed stainless steel.

Capacity 1 1/2 gallon (or 6 L) capacity per pump vessel

Models		SS-1SE 67760	SS-2SE 07300
Height	in	17 3/4	17 3/4
	cm	45.1	45.1
Width	in	7 1/2	14 15/16
	cm	19.1	37.9
Depth	in	14 3/16	14 3/16
	cm	36	36
Capacity		1 1/2 gallon	3 gallon
		6 L	12 L
Weight	lb	10	17
	kg	4.5	7.7

Cryovac® is a registered trademark and a trade name of Cryovac Inc.
FOB Richfield, Wisconsin 53076

CAD Library

Individual CAD images can be downloaded from product pages on our web site. We are also a member of The KCL CADalog with more than 100 other manufacturers. Our complete collection of CAD files can be purchased through Kochman Consultants, Ltd. at kclcad.com.

