



PUMPS {STAINLESS STEEL} FOUNTAIN JAR PUMPS

Models CP-F
CP-200

Date:

Project:

Quantity:

Item Number:



CP-F 83330
(jar not included)



CP-200 83300
(jar not included)



THIN THICK PARTICULATE
See category tab for details.



Warranty

Server Products equipment is backed by a two-year limited warranty against defects in materials and workmanship. For our complete warranty statement, see our web site or contact us.

Bid Description

Constructed of stainless steel, each condiment pump features a rugged cast valve body and welded construction. A pump and jar drop into a counter or can be placed into a Serving Bar. An insulated Serving Bar can be cooled with ice, (1) Eutectic Ice Pack per pump or our deep fountain HOLDCOLD™ jars. HOLDCOLD™ jars will maintain serving temperature up to (12) hours, when used properly. Jars not included.

The CP-F will pump condiments from a deep fountain jar. Maximum stroke yields 1 ¼ ounce (37 mL). Gauging collars are supplied to reduce yield in ¼ ounce (7 mL) increments.

The CP-200 is designed to pump condiments from a standard shallow fountain jar. Maximum stroke yields 1 ounce (30 mL) with gauging collars supplied to reduce yield in ¼ ounce (7 mL) increments. Standard pump knob is black.

Standard Features

Durable, stainless steel construction

CP-F; maximum stroke yields 1 ¼ ounce (37 mL)

CP-200; maximum stroke yields 1 ounce (30 mL)

Easy-to-adjust portion control in ¼ ounce (7 mL) increments

(2) cleaning brushes included for pump maintenance

Colored, engraved knobs to identify flavors are available. For options, contact our customer service department.

Condiment Dispenser Accessories

- Fountain Jar, deep—Stainless Steel 82555
- Fountain Jar, deep—Polypropylene 82557
- Fountain Jar, deep—HOLDCOLD™, Black 82632
- Fountain Jar, deep—HOLDCOLD™, White 82633
- Kit, HOLDCOLD™ Jars—(1) White & (1) Black 82634
- Fountain Jar, shallow—Stainless Steel 82556
- Fountain Jar, shallow—Polypropylene 82558
- Pump Lock 80443
- Eutectic Ice Pack 94141

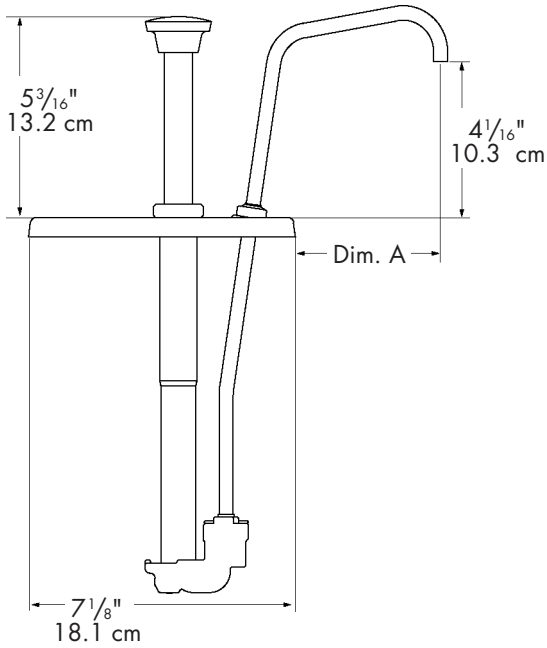
Specifications on reverse side



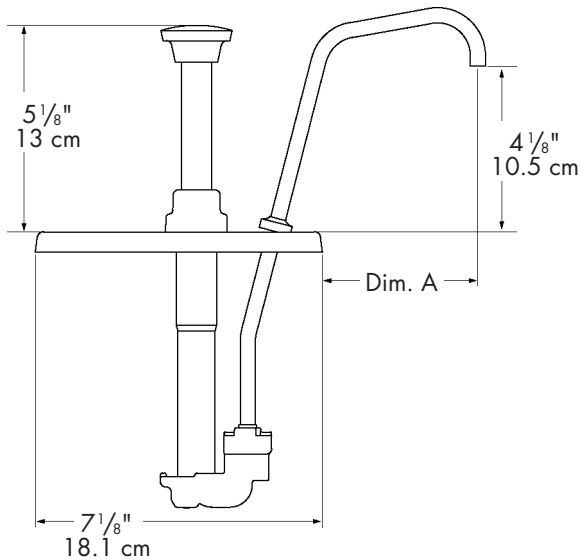
PUMPS {STAINLESS STEEL} FOUNTAIN JAR PUMPS

Models CP-F
CP-200

Condiment Pump CP-F 83330



Condiment Pump CP-200 83300



Specifications

Model	CP-F 83330			
Construction	Stainless steel pump with cast valve body and welded construction fits a deep fountain jar.			
Capacity	Standard deep fountain jar has a 3 1/2 quart (3.3 L) capacity. A HOLDCOLD™ deep fountain jar has a 2 1/4 quart (2.1 L) capacity.			
Dimensions (above jar)	<u>Height</u>	<u>Width</u>	<u>Depth</u>	<u>Dim. A</u>
	in 5 3/16	4 1/2	7 1/8	3 7/8
	cm 13.2	11.4	18.1	9.8
Weight	3 lb (1.4 kg)			
Cutout Size	4 5/16 x 7 in (11 x 17.8 cm)			

Model	CP-200 83300			
	Same as above except:			
Construction	Fits a shallow fountain jar.			
Capacity	2 quart (1.9 L) capacity			
Dimensions (above jar)	<u>Height</u>	<u>Width</u>	<u>Depth</u>	<u>Dim. A</u>
	in 5 1/8	4 1/2	7 1/8	3 7/8
	cm 13	11.4	18.1	9.8

FOB Richfield, Wisconsin 53076

CAD Library

Individual CAD images can be downloaded from product pages on our web site. We are also a member of The KCL CADalog with more than 100 other manufacturers. Our complete collection of CAD files can be purchased through Kochman Consultants, Ltd. at kclcad.com.

