



COLD FOOD HOLDERS CHILLED CREAM SERVERS/HOLDERS

Models CSM,
DICSM, ECH

Date:

Project:

Quantity:

Item Number:



CSM 94000



ECH 94090



94013
Eutectic Ice Pack



94057
HOLDCOLD™ Jars

Bid Description

Insulated Cream Servers and Espresso Cream Holders are constructed of a stainless steel exterior and one-piece seamless plastic interior. Their compact design takes up only 8" (20.3 cm) of counter space.

The Cream Server, Drop-In Cream Server, and Espresso Cream Holder are available in (2) varieties; with a stainless steel jar and (2) round Eutectic Ice Packs or with (1) black and (1) white Hold Cold jar. HOLDCOLD™ jars will maintain serving temperature up to (12) hours, when used properly.

The Cream Server is available for countertop or drop-in use. Both feature a stainless steel pump with a cast valve body and welded construction. Maximum stroke yields 1 ounce (30 mL). Supplied gauging collars reduce the yield in ¼ ounce (7 mL) increments.

The ECH accepts a hose directly from an espresso machine into a hole in the lid.

Standard Features

Stainless steel exterior and seamless plastic interior

Includes a Stainless Steel Jar and (2) Eutectic Ice packs or (1) black and (1) white HOLDCOLD™ jar for extended cooling time

Cream Server maximum stroke yields 1 ounce (30 mL)

Easy-to-adjust portion control in ¼ ounce (7 mL) increments

Cream Holder conveniently works with your espresso machine

Cream Equipment Accessories

- 3 quart (2.8 L) Stainless Steel Jar 94009
- Eutectic Ice Pack, Round 94013
- Kit, Round HOLDCOLD™ Jars, (1) white & (1) black 94057



Warranty

Server Products equipment is backed by a two-year limited warranty against defects in materials and workmanship. For a copy of our complete warranty statement, see our web site or contact us.



Except CSM and DICSM

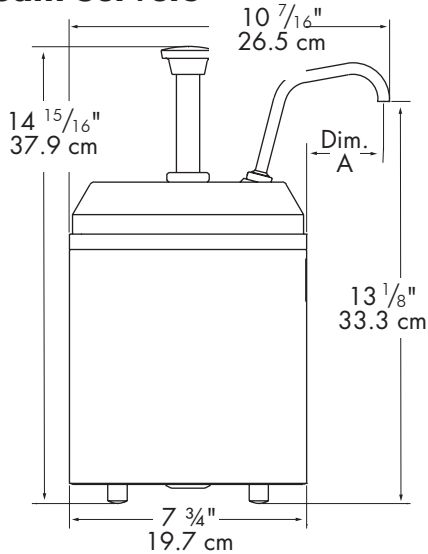
Specifications on reverse side



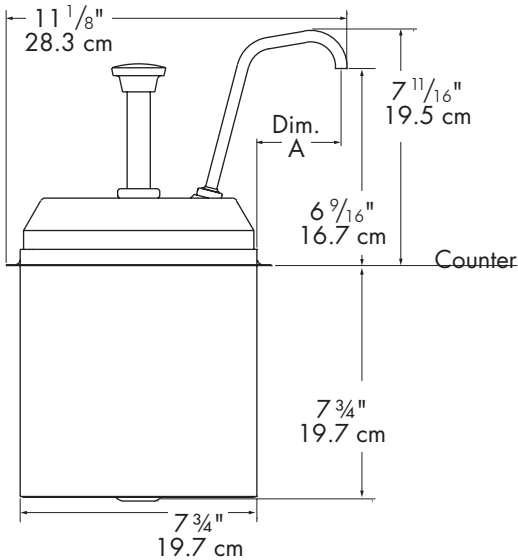
COLD FOOD HOLDERS CHILLED CREAM SERVERS/HOLDERS

Models CSM,
DICSM, ECH

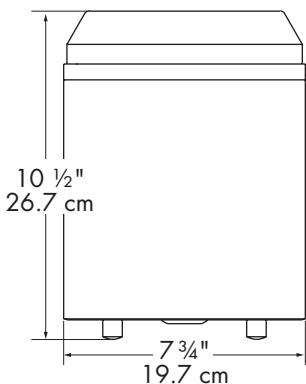
Cream Servers



Drop-In Cream Servers



Espresso Cream Holders



Specifications

Construction	Stainless steel exterior, seamless plastic interior, and foamed-in-place insulation. Each includes (1) Stainless Steel Jar and (2) Eutectic Ice Packs.		
Capacity	3 quart (2.8 L) capacity		
Cutout Size	DICSM only – 7 ⁷ / ₈ " (20 cm)		

Models	CSM 94000	DICSM 94120	ECH 94090
Height	in 14 ¹⁵ / ₁₆ cm 37.9	in 7 ¹¹ / ₁₆ cm 19.5	in 10 ¹ / ₂ cm 26.7
Width	in 7 ³ / ₄ cm 19.7	in 7 ³ / ₄ cm 19.7	in 7 ³ / ₄ cm 19.7
Depth	in 10 ⁷ / ₁₆ cm 26.5	in 11 ¹ / ₈ cm 28.3	in 7 ³ / ₄ cm 19.7
Dim. A	in 2 ¹ / ₂ cm 6.4	in 2 ³ / ₄ cm 7	N/A
Weight	9 lb 4.1 kg	9 lb 4.1 kg	8 lb 3.6 kg

Construction	Stainless steel exterior, seamless plastic interior. Each includes (1) black and (1) white HOLDCOLD™ jar.		
Capacity	2 ³ / ₄ quart (2.6 L) capacity		
Cutout Size	DICSM only – 7 ⁷ / ₈ " (20 cm)		

Models	CSM 94113	DICSM 94116	ECH 94123
Height	in 14 ¹⁵ / ₁₆ cm 37.9	in 7 ¹¹ / ₁₆ cm 19.5	in 10 ¹ / ₂ cm 26.7
Width	in 7 ³ / ₄ cm 19.7	in 7 ³ / ₄ cm 19.7	in 7 ³ / ₄ cm 19.7
Depth	in 10 ⁷ / ₁₆ cm 26.5	in 11 ¹ / ₈ cm 28.3	in 7 ³ / ₄ cm 19.7
Dim. A	in 2 ¹ / ₂ cm 6.4	in 2 ³ / ₄ cm 7	N/A
Weight	14 lb 6.4 kg	13 lb 5.9 kg	11 lb 5.4 kg

FOB Richfield, Wisconsin 53076

CAD Library

We are a member of The KCL CADalog with more than 100 other manufacturers. Our CAD files can be purchased through Kochman Consultants, Ltd. at 847-470-1195, or e-mail sales@kclcad.com. Their website is at www.kclcad.com.

